



The Model PS32 damper is constructed with PVC plastic. This material is UV-stabilized for many years of corrosion resistance. Available in both standard and custom sizes, units are gravity or motorized to meet your needs. This damper is well suited for Greenhouse, Agriculture and Industrial uses.

Features

- 100% PVC frame and blade construction with no metal fasteners, clips, rivets or screws. This makes for quiet long lasting operation.
- Frame corners are fused together with the use of hot plate welding. This creates a rigid frame for extra durability and long life.
- Damper blades pivot on non-corrosive plastic pins or fiberglass rods. They can be removed for cleaning and maintenance. Blades are flexible, preventing denting and creasing like aluminum.
- Excellent air performance due to the airfoil design of blades.
- Wide range of sizes, 10"x10" thru 72"x72".
- Optional motor pack comes constructed with stainless steel bracket and mounting hardware to compliment corrosion resistance of damper.

Specify model prefix when ordering:

PS-32 Plastic pins/no tie bar

PS-32T Plastic pins with tie bar

PS-32R Fiberglass rods /no tie bar

PS-32TA Fiberglass rods with tie bar (for use with motor pack)

Motor packs are available in 115V, 230V and 24VDC

Model PS32 Plastic Damper Specifications

Application and Design

The model PS32 is a vertical mounted backdraft damper that is designed to allow horizontal airflow and prevent reverse airflow. The damper is opened by either air pressure differential and closed by gravity or controlled by an actuator.

Standard Construction

Frame: Extruded PVC plastic.
(.09" thickness)

Blades: Extruded PVC plastic
(.06" thickness)

Axle Bearings: Fiberglass rods or nylon pins.

Size Limitations

Minimum Size: 10"x10"

Maximum Size: 72"x72"

Accessories

115v, 230v or 24VDC motor packs.

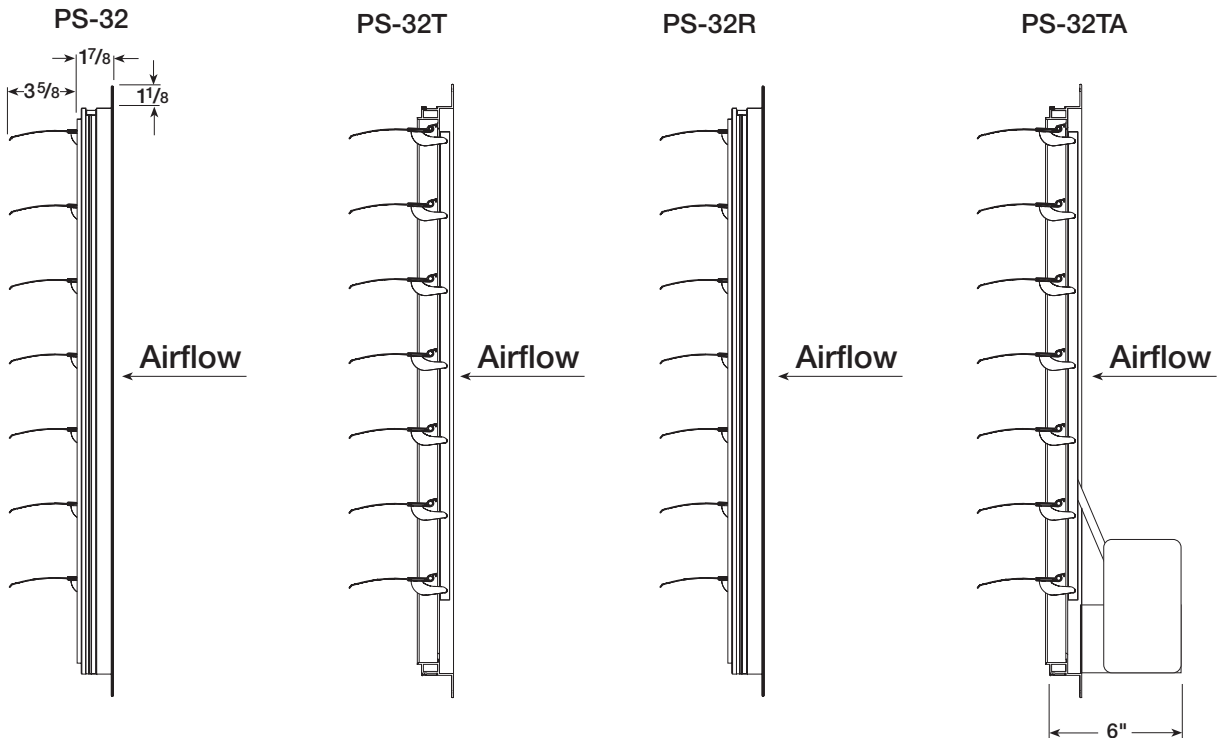
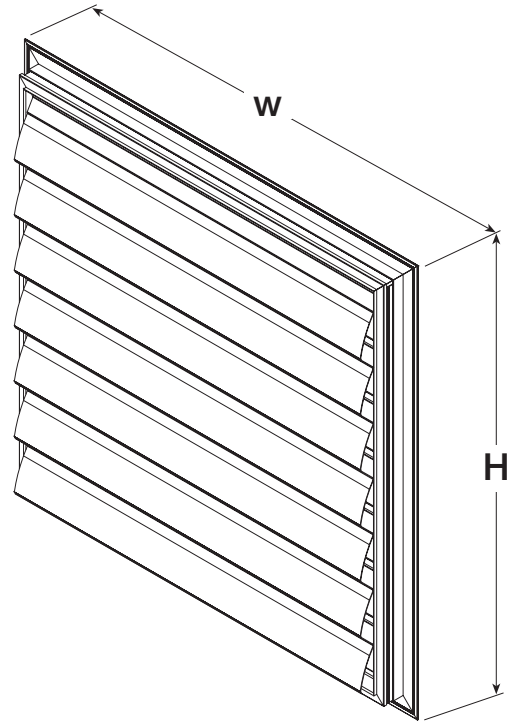
Options

PS-32 Plastic pins/no tie bar

PS-32T Plastic pins with tie bar

PS-32R Fiberglass rods/no tie bar

PS-32TA Fiberglass rods with tie bar
(for use with motor pack)



Due to continuing research, Greenheck reserves the right to change specifications without notice.