



The Model SBF-A is made in a complete range of the most wanted sizes commercially or agriculturally for exhaust ventilation as used in the **GREENHOUSE, AGRICULTURAL AND INDUSTRIAL BUILDING**. Angled wall housing increases efficiency and eliminates the need for a storm hood.

## Features

- 24" through 54" high efficiency belt drive fans.
- Angled wall housing increases efficiency and eliminates the need for a storm hood. This also allows moisture to run out of building, not down inside walls.
- Totally enclosed high efficiency ball bearing motor is matched with propeller to give best cfm to watt performance.
- Tight fitting inside shutters allow easy cleaning and reduce noise.
- Cast iron pillow-block bearings and cast sheaves. Adjustable motor sheave for fine tuning of system. Belts are cogged type to reduce slippage and need for tightening.
- Outside safety guard heavy galvanized wire to resist corrosion.
- Heavy gauge galvanized construction throughout to prolong life and resist rust.
- Easy one piece flush mounting to reduce installation time and eliminate obstruction in interior of building.
- AMCA licensed ratings.

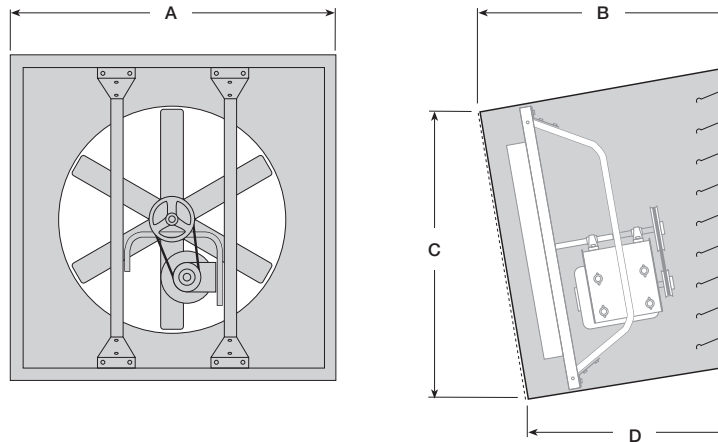
## Accessories

### Temperature Control: (Optional)

An optional temperature control can be included that electrically and thermostatically operates the fan in any selected temperature range between 40°F and 100°F with 2°-3° differential performance. The thermostat has a sealed molded plastic case with all exposed metal parts of stainless steel. They meet all requirements for NEMA 4X equipment, and is suitable for use under national electrical code (N.E.C.). Article 547-4. Single stage for one speed fans -- two stage for two speed fans.



## Dimensional Data:



MODEL	A	B	C	D	WALL OPENINGS	NOM. DIA.	MOTOR DATA - All motors 230V 60 Hz 1PH					
							DRIVE TYPE	HP	EFFIC.	MOTOR MFG.	MODEL	NOM. RPM
SBF-A24/24C	35"	35"	32 <sup>3</sup> / <sub>8</sub> "	26"	33" Square	24"	Belt	1/2	78	Leeson	C6K17NB10A	787
SBF-A30/30C	41"	35"	38 <sup>3</sup> / <sub>8</sub> "	26"	39" Square	30"	Belt	1/2	78	Leeson	C6K17NB10A	612
SBF-A36/36C	47"	34"	44 <sup>3</sup> / <sub>8</sub> "	24"	45" Square	36"	Belt	1/2	78	Leeson	C6K17NB10A	430
SBF-A42/42C	53"	36"	50 <sup>3</sup> / <sub>8</sub> "	26"	51" Square	42"	Belt	1	86	Leeson	C6K17NB9A	427
SBF-A48/48C	59"	36"	56 <sup>3</sup> / <sub>8</sub> "	26"	57" Square	48"	Belt	1	86	Leeson	C6K17NB9A	310
SBF-A54/54C	65"	36"	62 <sup>3</sup> / <sub>8</sub> "	26"	63" Square	54"	Belt	1	86	Leeson	C6K17NB9A	280

## Performance Data (cfm):

MODEL	0.04" SP			0.05" SP			0.10" SP			0.125" SP			0.15" SP		
	CFM	WATT	BHP	CFM	WATT	BHP	CFM	WATT	BHP	CFM	WATT	BHP	CFM	WATT	BHP
SBF-A24	6321	10.96	0.618	6267	10.861	0.618	5962	10.319	0.619	5791	10.023	0.619	5595	9.683	0.619
SBF-A24C	6875	12.189	0.605	6808	12.04	0.606	6435	11.241	0.614	6246	10.838	0.617	6009	10.399	0.619
SBF-A30	8873	14.537	0.651	8776	14.379	0.651	8211	13.365	0.655	7897	12.797	0.658	7578	12.219	0.661
SBF-A30C	9752	16.405	0.635	9625	16.128	0.638	8989	14.814	0.647	8670	14.22	0.65	8200	13.321	0.656
SBF-A36	10526	18.644	0.604	10355	18.327	0.604	9508	16.828	0.604	8631	15.277	0.604	7610	13.451	0.605
SBF-A36C	11660	21.178	0.589	11450	20.71	0.592	10417	18.56	0.601	9652	17.158	0.603	8829	15.665	0.604
SBF-A42	17383	14.969	1.288	17198	14.799	1.289	16077	13.732	1.298	15400	13.081	1.305	14677	12.385	1.313
SBF-A42C	18270	15.813	1.283	17973	15.526	1.285	16489	13.979	1.308	15764	13.253	1.318	15060	12.638	1.32
SBF-A48	19218	19.559	1.104	18921	19.207	1.116	17175	17.212	1.118	15910	15.864	1.124	13864	13.781	1.13
SBF-A48C	20676	20.941	1.107	20412	20.626	1.11	18608	18.552	1.124	17522	17.401	1.128	16604	16.488	1.128
SBF-A54	22565	23.547	1.079	22150	23.03	1.083	19820	20.378	1.095	17663	17.959	1.106	15497	16	1.09
SBF-A54C	23502	24.4	1.085	23078	23.886	1.088	20330	20.8	1.1	18122	18.427	1.106	15575	15.912	1.101

Performance shown is for Model SBF-A for installation type A: free inlet, free outlet. Performance ratings include the effects of wall housing, shutters and wire safety guard in the airstream. In addition, the SBF-A-C models also include a discharge cone in the airstream for added performance.

Speed (rpm) shown is nominal. Performance is based on actual speed of test.



Future Products certifies that the SBF-A models shown herein are licensed to bear the AMCA seal. The ratings shown are based on tests and procedures performed in accordance with AMCA Publication 211 and comply with the requirements of the AMCA Certified Ratings Program.

Due to continuing research, Future Products reserves the right to change specifications without notice.