



The Model "PD" Fan is an economical plastic fan. Ideally suited for use in all **INDUSTRIAL AND AGRICULTURAL FACILITIES**.

### Features

- One piece polyethylene housing makes unit streamline. It will not rust, crack, corrode or require painting.
- Energy efficient totally enclosed motors offer 115/230 volt operation. Available in single, two speed or variable speeds.
- Inside shutter with stainless steel frame, resists corrosion and is easy to clean.
- Interior flush mount design reduces installation time and eliminates obstruction in alleyways.

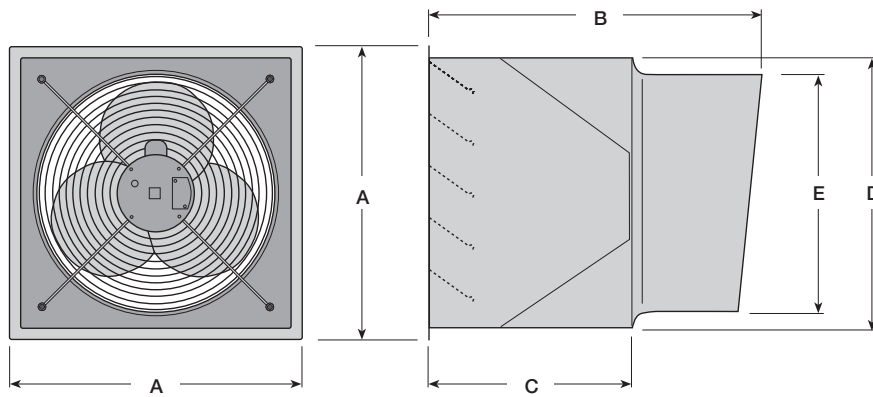
### Accessories

#### Temperature Control: (Optional)

An optional temperature control can be included that electrically and thermostatically operates the fan in any selected temperature range between 40°F and 100°F with 2°-3° differential performance. The thermostat has a sealed molded plastic case with all exposed metal parts of stainless steel. They meet all requirements for NEMA 4X equipment, and is suitable for use under national electrical code (N.E.C.). Article 547-4. Single stage for one speed fans -- two stage for two speed fans.



## Dimensional Data:



MODEL	A	B	C	D	E	F WALL OPENING
14-PD	19"	22"	11½"	16"	15"	16¼"
18-PD	23"	24"	14"	20"	19¼"	20¼"
22-PD	27"	24"	15"	24"	23"	24¼"

## Performance Data (cfm):

MODEL	BLADE DIA.	HP	RPM	VOLTS	0" SP	.10" SP	.20" SP
14-PD	14"	1/10	1550	115/230	1610	1510	1400
14-PD2*	14"	1/10-1/20	1550-860	115	1610/870	1510/805	1400/760
18-PD	18"	1/3	1700	115/230	3100	3050	2875
18-PD2*	18"	1/3-1/6	1700-1140	115	3336/2090	3175/2000	3085/1880
22-PD	22"	1/3	1700	115/230	4360	4200	4050
22-PD2*	22"	1/3-1/6	1700-1140	115	4360/2600	4200/2450	4050/2240

\*2 speed motors (all others variable speed)

## Installation Details:

### LOCATION:

In sidewall installations, the fan should be located on the side of the building away from prevailing winds. (Usually on the South or East wall)

### INTAKE AIR:

An exhaust fan changes the air in a given area by drawing fresh, clean air through the building and expelling bad air to the outside. Intake openings must be of such size and quantity to provide air equal to the exhaust capacity of the fan within its operating range. Intake openings must be across the building from the fan (fans) and located as high as possible.

### WIRING:

Wiring should be done in accordance with local electrical codes that apply.

### TEMPERATURE CONTROL:

The thermostat should be located above eye level, away from lights and other heat sources and drafts; in a place that will represent average building temperature.

Due to continuing research, Future Products reserves the right to change specifications without notice.