

The Model "MC" is a belt driven, portable mancooler available in sizes 36 and 42, with capacities of 11,000 and 22,000 cfm. Designed to provide **direct cooling of personnel, livestock or equipment** where extreme temperatures exist, smoke or contaminated air must be controlled.

Features

- 20 gauge galvanized steel housing.
- Rolled steel angle frame.
- Maintenance free ball bearings.
- Galvanized steel propeller.
- Totally enclosed ball bearing motors with thermal overload protection.
- 8 foot cord and plug.
- Epoxy coated OSHA guards.
- Pneumatic ball bearing wheels and a conveniently placed handle for ease of movement.

Dimensional Data:

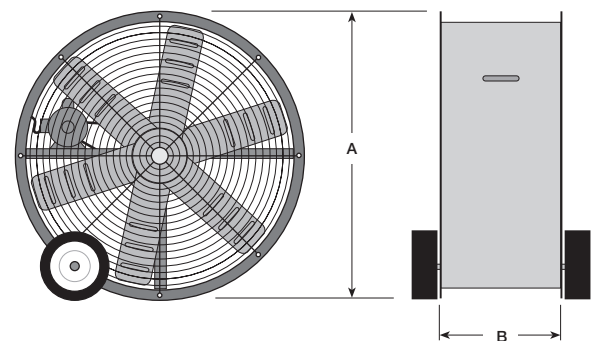
MODEL	BLADE DIA.	A SIZE	B WIDTH	WT.
MC36	36"	40 ¹ / ₄ " OD	25"	155#
MC36-2*	36"	40 ¹ / ₄ " OD	25"	155#
MC42	42"	46 ¹ / ₄ " OD	25"	245#
MC42-2*	42"	46 ¹ / ₄ " OD	25"	250#

*2 speed option available with 115v only.

Performance Data (cfm):

MODEL	HP	RPM	CFM (FA)
MC36	1/2	570	11,000
MC36-2*	1/2-1/4	570-377	11,000-7,270
MC42	1 1/2	500	22,000
MC42-2*	1 1/2-3/4	500	22,000-11,000

*2 speed option available with 115v only.



Due to continuing research, Future Products reserves the right to change specifications without notice.