

The Model "BK" Fan is designed for use where indoor air movement is needed. It moves air in a broad dispersed pattern giving uniform air flow. Use all year to help control moisture and mix intake air. Ideally suited for use in **INDUSTRIAL AND AGRICULTURAL FACILITIES.**

Features

- Sturdy OSHA guard with baked epoxy coating to resist corrosion.
- Heavy galvanized hanger mount allowing fan to tilt and swivel.
- Totally enclosed, energy efficient motors made to NEMA standards and equipped with thermal overload protection. Available in single, double or variable speed.
- Fan blades are aluminum with steel hub and are pitched to maximize motor efficiency.
- All models can be shipped via UPS.

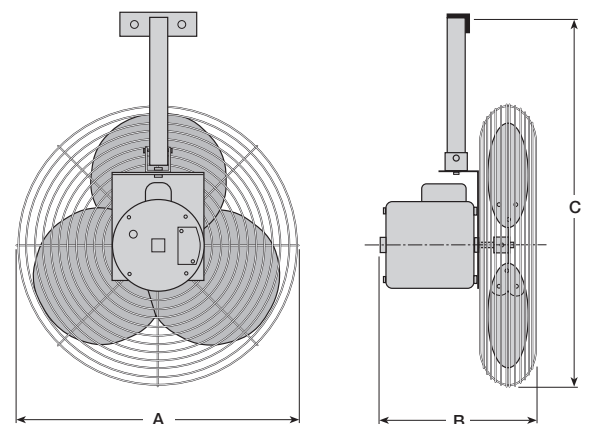


Dimensional Data:

MODEL	BLADE DIA.	A SIZE	B WIDTH	C WIDTH	WT.
20-BK	20"	21"	12"	26"	29#
203-BK	20"	21"	13"	26"	32#
203-2BK	20"	21"	13"	26"	34#

Performance Data (cfm):

MODEL	HP	RPM	VOLT	CFM (FA)
20-BK	1/4	1725	115	4130
203-BK	1/3	1725	115/230	5010
203-2BK	1/3	1725/1140	115	5010/2725



Due to continuing research, Future Products reserves the right to change specifications without notice.

BKA96

Future Products • 22 Park View Circle • Mosinee, WI 54455
Phone 715-693-4444 • Toll Free 877-FP4-FANS • Fax 715-693-4480

www.FP4-FANS.com