

The Model 36-DMCH is a 36" direct drive, economically priced cooling fan with no belts or bearings to grease. With high capacity CFM it provides direct cooling for personnel, livestock or equipment.

Features

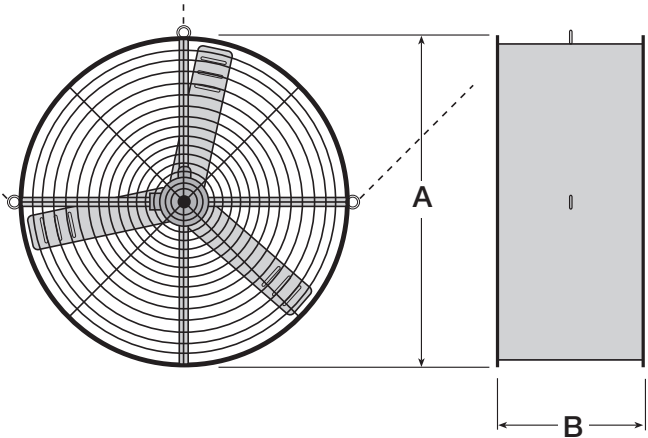
- Galvanized construction to resist rust and corrosion.
- Galvanized steel propeller.
- 1/2 HP, 850 RPM totally enclosed motor with ball bearings.
- 8 foot cord and plug.
- Epoxy coated OSHA guards.
- Eyebolts for suspension.
- Optional brackets for ceiling mount.

Dimensional Data:

MODEL	BLADE DIA.	A SIZE	B WIDTH	WT.
36-DMCH	36"	37 1/2" OD	18"	75#

Performance Data (cfm):

MODEL	HP	RPM	CFM (FA)
36-DMCH	1/2	850	10,765



Due to continuing research, Future Products reserves the right to change specifications without notice.