



The model FPC-42 is a 42" belt driven economically price portable mancooler. With high capacity CFM it provides direct cooling of personnel, livestock or equipment where extreme temperatures exist, smoke or contaminated air must be controlled.

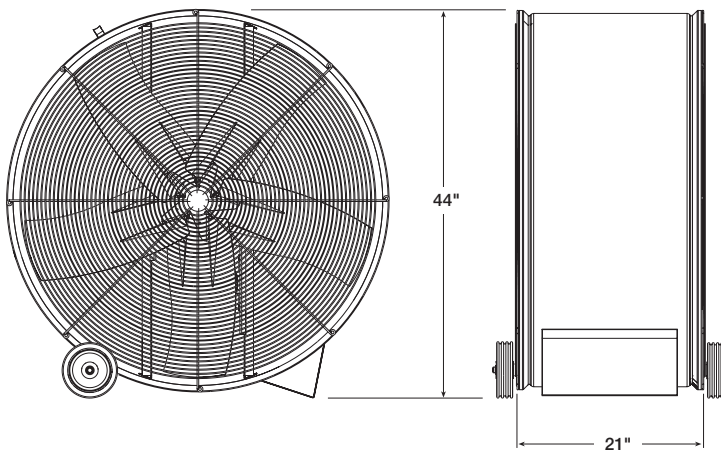
### Features

- Roll formed channels in steel housing for rigid performance.
- Galvanized 5 blade propeller for low RPM and quiet airflow.
- Heavy steel drive frame channels.
- Rubber mount pillow block ball bearings for long and quiet performance.
- Ball bearing motors.
- 115 volts with switch and molded grounded plug.
- Epoxy coated OSHA guards.
- Large wheels for ease of movement.
- Two convenient handles for either side movement.
- UL approved.

### Specifications

	FPC42-5	FPC42-10
HP	1/2 HP	1 HP
CFM	14,726	18,547
Blade RPM	316	399
Blade Size	42"	42"
Shipping Wt.	163#	171#

### Dimensions



Due to continuing research, Future Products reserves the right to change specifications without notice.